

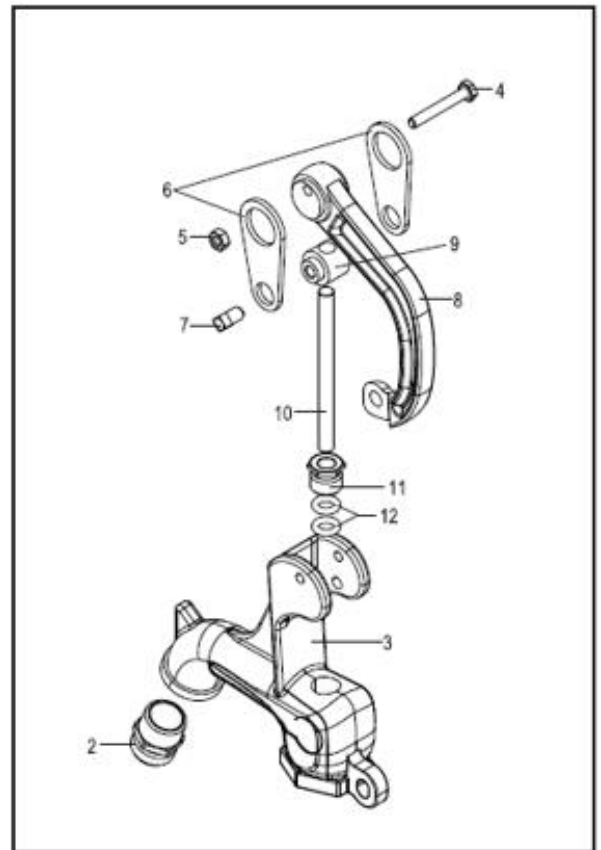
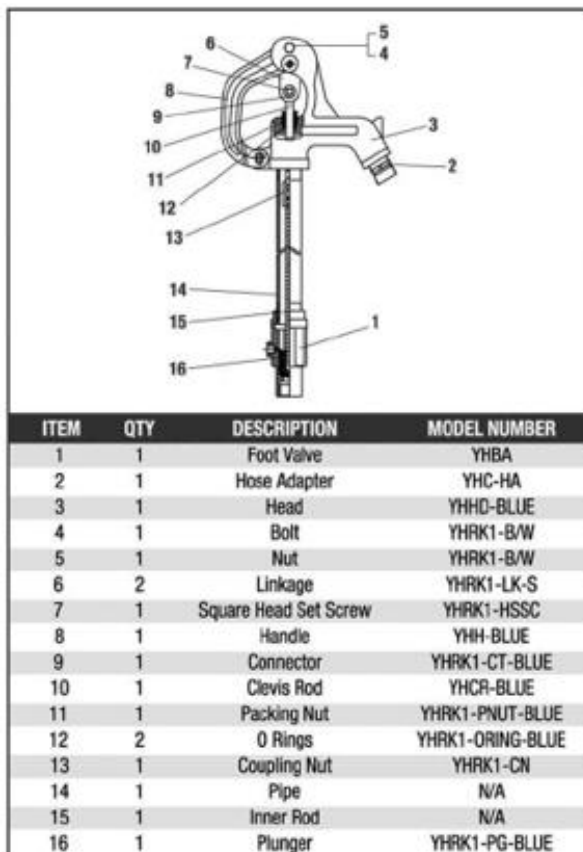
Removing Clevis Rod on Blue Hydrant Head

TOOLS NEEDED: 2 pipe wrenches, vise-grip, channel lock, 11 mm wrench and socket, crescent wrench

1. Turn water supply off and lift hydrant handle (8) up to drain pressure.
2. Remove the hydrant handle by loosening the fulcrum nut (5) and bolt (4) with the 11 mm wrench and socket.
3. Remove the linkage (6).
4. Loosen the set screw (7) with a crescent wrench and then remove the connector (9) by sliding it off the clevis rod (10) up through the hydrant head (3).
5. Loosen the packing nut (11) 1 to 2 turns with a crescent wrench.
 - a. Note: Do not remove the packing nut from the hydrant head.
6. Using two pipe wrenches, unthread the hydrant head (3) from the pipe (14).
7. Pull the inner rod (15) out of the pipe (14).
 - a. The coupling nut (13) and the rubber plunger (16) will be attached to the inner rod.
8. Using one vise-grip to hold the coupling nut (13) in place, use another vise-grip or channel lock to turn the clevis rod (10) counter-clockwise until it is removed.

Removing Plunger

1. Follow steps 1-6 above.
2. Pull the inner rod (15) out of the pipe (14). **NOTE: DO NOT TURN INNER ROD COUNTER-CLOCKWISE INSIDE PIPE OR YOU COULD DISCONNECT THE PLUNGER**
3. Untwist broken plunger (16) from bottom of inner rod (15).



Visit the www.watersourceusa.com 'product support' page to view more documents and videos or call 800-346-7611 if you have any questions!

Installing New Clevis Rod on Blue Hydrant Head

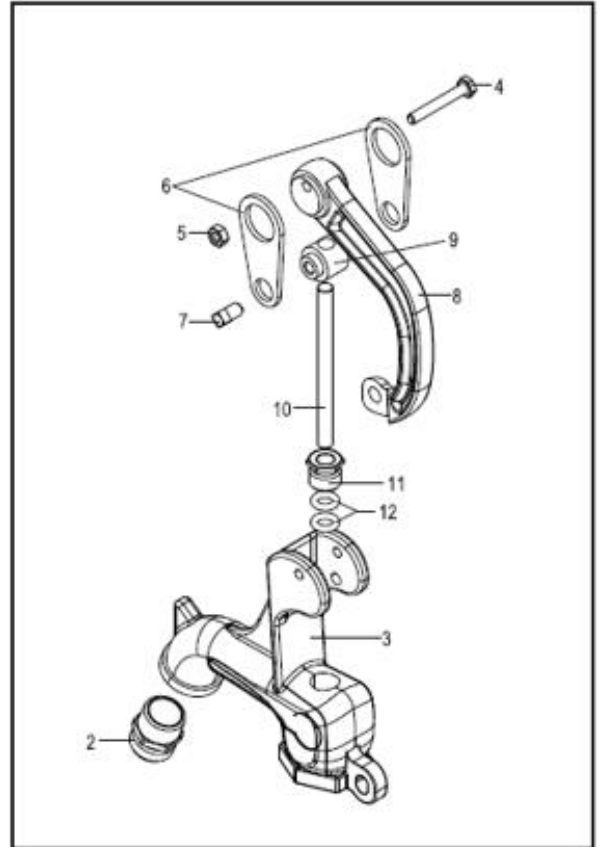
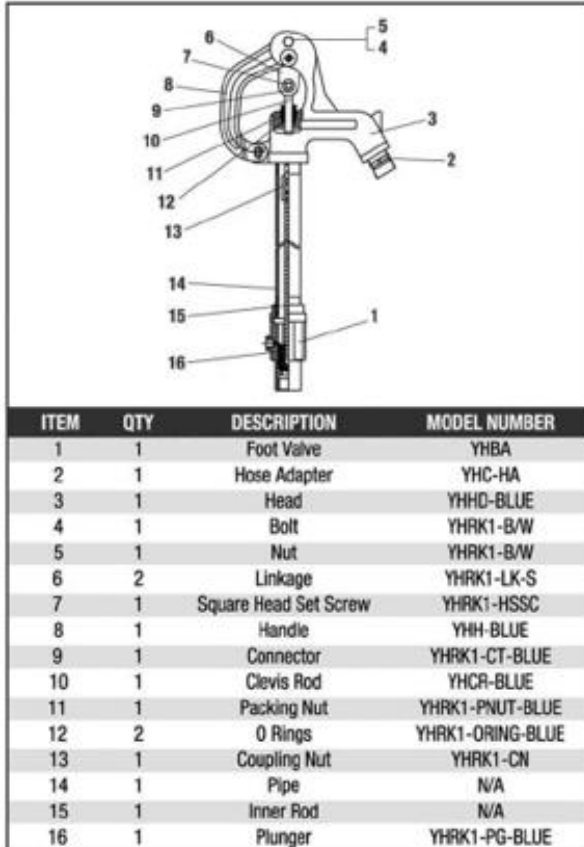
Blue Hydrant Head Clevis Rod (Model YHCR-BLUE) Measurements – Male threaded 4.5” Length x 3/8” Diameter

TOOLS NEEDED: 2 pipe wrenches, vise-grip, channel lock, 11 mm wrench and socket, crescent wrench

1. Using one vise-grip to hold the coupling nut (13) in place, hand tighten the new clevis rod (10) into the coupling nut (13). **DO NOT OVERTIGHTEN.**
2. Place the inner rod (15) back into the pipe (14).
3. Insert the new clevis rod through the hydrant head (3), O-rings (12), and the packing nut (11).
 - a. If you found it necessary to pull off the packing nut and O-rings with the old clevis rod, make sure to place the O-rings on the new clevis rod and be sure to cover with a silicone-based lubricant.
4. Wrap the male threads of the pipe (14) with thread tape. Using two pipe wrenches, thread the hydrant head (3) to the pipe (14).
5. Using a crescent wrench, tighten the packing nut (11) 1 to 2 turns. **DO NOT OVERTIGHTEN.**
6. Place the connector (9) and the set screw (7) on the clevis rod.
7. Add the linkage (6) to the outside of the connector (9).
8. Connect the hydrant handle (8) to the top of the linkage (6) and hydrant head (3).
9. Insert the bolt (4) through the hydrant head (3), linkage (6), and the top of the handle (8) and then screw on the nut (5) and tighten with the 11 mm wrench and socket.
10. With the hydrant handle in the down or “OFF” position, use a crescent wrench to tighten the set screw (7) 1-2 turns. **DO NOT OVERTIGHTEN**
11. Turn water supply on and check for leaks. If hydrant is leaking, please refer to hydrant adjustment instructions.

Installing New Plunger

1. Using one vise-grip to hold the inner rod (15) in place, hand tighten the new plunger clockwise into the bottom of the inner rod (15).
2. Follow steps 2-11 above.



Visit the www.watersourceusa.com ‘product support’ page to view more documents and videos or call 800-346-7611 if you have any questions!